

In building solution

Providing end-to-end services for IBS design, deploy and assurance

Overview

With mobile network evolution towards 3G and 4G based services, In-building cellular systems that are primarily designed for 2G voice-based services may not be adequate enough to support 3G and 4G data-based services. Mobile network operators signal strength and signal quality requirements have become more stringent in 3G and 4G, as the user applications are moving from a voice centric to a high speed data centric model. With stress on requirement of seamless mobile broadband experience, especially in the indoors, where most of mobile traffic is generated, MNOs need to meet those expectations if they want to be ahead in the race.

With an end-to-end managed service design, deploy and operation of IBS solutions, TCTS provides a comprehensive solution targeting not only customers that are looking to improve their network coverage, but also focus to meet that network KPIs that MNOs demand.

**Transform operations | Drive efficiencies |
Accelerate revenues | Enhance customer experience**

TCTS IBS managed services offer:



Network engineering

- RF and civil survey
- Plan antenna placements, feeder runs, combiners, power management, PIM management
- Walk/ drive test for measuring existing network KPI's
- Link budget and prediction plots
- IBS design review



Implementation and optimisation

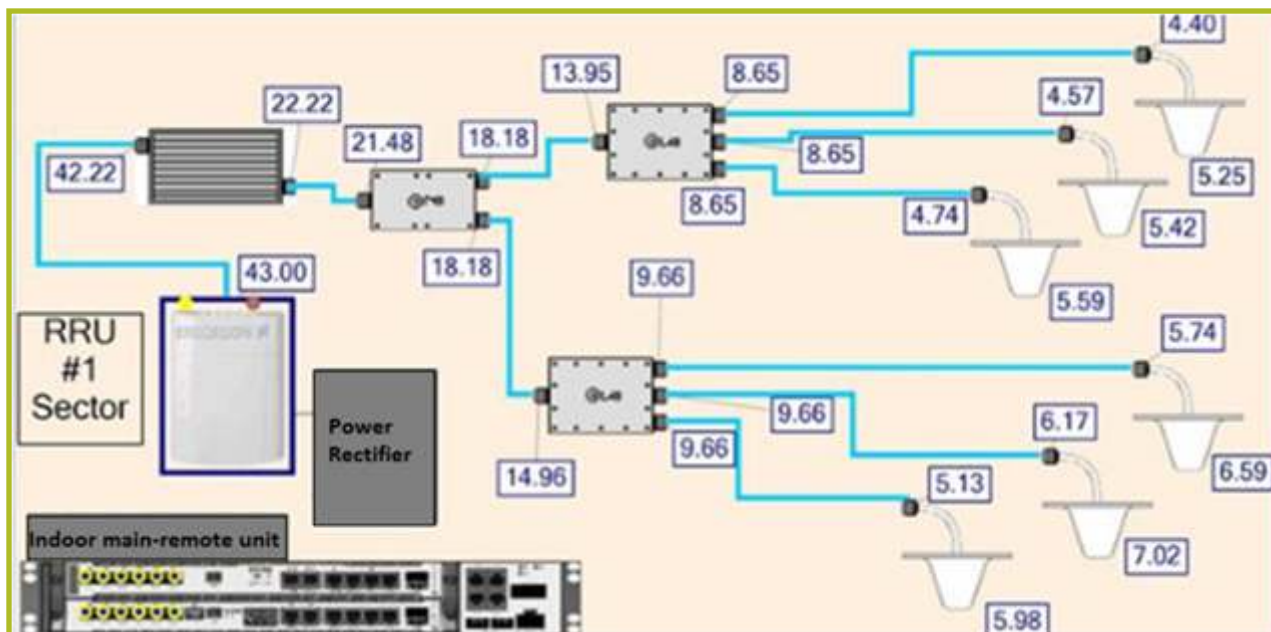
- Installation of CAT 5e/ 6 and fiber cabling including termination between MDF and IDF
- Installation of AP's, indoor panel and omni directional antenna (wall mounting and ceiling mounting)
- Switch/ router installation and configuration and provisioning
- Coverage and capacity testing of the installed IBS system by conduction voice and data testing
- Walk test to measure network KPI's post installation



Network operations and maintenance; on field and NOC with service level adherence



End to end project management (Including local logistics)



For more information, visit us at <http://www.tatacommunications-ts.com/>

Contact Us

Share





Operation model

TCTS	
Planning and design	Service desk
Network deployment	Field O&M
Performance and optimization	Vendor management
Service testing and integration	Spare part management

For more information, visit us at <http://www.tatacommunications-ts.com/>

Contact Us

Share



Value proposition

TCTS IBS managed service solution approach is based on industry expertise and with use of sophisticated tools combined with its global expertise and local partner support, it provides coverage improvement to MNO that will allow them to focus not only on serving the end-users requirement but also provide a network which meets industry KPIs for network excellence.

For more information, visit us at <http://www.tatacommunications-ts.com/>

Contact Us

Share



© 2016 Tata Communications. All rights reserved. TATA COMMUNICATIONS and TATA are trademarks of Tata Sons Limited in certain countries.